



CDS547 Stratus Modbus Logger User Manual

Document Number:	CDS547 Stratus Modbus Logger User Manual
Client:	User
Date:	1 December 2020
Issue:	V1.0
Status:	Draft
Classification:	Confidential
S/W File Name	CDS547 Stratus Modbus Logger User Manual.docx

Copyright Cape Digital Solutions.

This document contains information relating to the rights of Cape Digital Solutions. The confidentiality agreement provisions are applicable to this document. When no longer needed for authorised purposes, this document must be destroyed or returned to Cape Digital Solutions.

Cape Digital Solutions reserves the right to change the design or specifications of their products without prior notice.

The contents of this manual is the property of Cape Digital Solutions and may not be copied or modified without prior permission, in writing, from Cape Digital Solutions, Cape Town, South Africa.

DOCUMENT NAME	CLASSIFICATION	DATE	PAGE
CDS547 STRATUS MODBUS LOGGER USER MANUAL	CONFIDENTIAL	15-JUL-21	1 OF 30

AMENDMENT HISTORY

Issue	Date	Amendment Details	Amended By
V01	1 December 2020	Compile document	Alex Romanov

Table of Contents

1 CDS547 Stratus Modbus Logger..... 4

1.1 Introduction..... 4

1.2 Features 4

1.3 Specifications 5

1.4 Architecture 6

1.5 Power Modes 6

1.6 LED and button functions 7

 1.6.1 LED functions 7

 1.6.2 Pushbutton Functions..... 7

1.7 Connections 8

 1.7.1 External Power Supply / Solar System Connection 9

 1.7.2 Using the 4-20mA loop input and 24V loop power generator 9

 1.7.3 Using the RS485/Modbus interface 10

1.8 Sim card and battery installation 13

1.9 Installation considerations 14

2 Logger Setup 15

2.1 Setup via Bluetooth Configure 15

2.2 Setup via Remote Configure 27

2.3 Setup via Offline Script Configure 29

DOCUMENT NAME	CLASSIFICATION	DATE	PAGE
CDS547 STRATUS MODBUS LOGGER USER MANUAL	CONFIDENTIAL	15-JUL-21	3 OF 30

1 CDS547 STRATUS MODBUS LOGGER

1.1 Introduction

The Stratus Modbus logger is a robust, sophisticated 3G GSM logger/controller with a wide range of input capabilities, making it ideal for a large number of measurement applications.

Communication to your own server and database can be achieved via the internet or a private APN. The software running on these servers is supplied free of charge. The Stratus Modbus Logger has been designed to allow for easy installation and setup without the need for a complicated server infrastructure. Setup and management software (CloudWorks) is also supplied free of charge to allow clients to manage their own networks and data. There are no monthly charges for collecting and hosting data as the client can provide this service themselves.



1.2 Features

- Uses 3G/Edge/GPRS (UMTS/HSPA) technology. This has become essential as many cellular network providers around the world will soon no longer be supporting older GPRS technologies, rendering legacy GPRS dataloggers obsolete. This has already started happening in many countries around the world.
- Bluetooth interface - setup and manual data collection can be achieved through the Bluetooth interface negating the need for cables that invariable fail during continuous use.
- Optional external power operation with battery failover.
- Uses standard off-the-shelf alkaline batteries. This logger uses 3x standard D Cell alkaline batteries that can last in excess of 5 years under normal usage. Many other loggers use lithium batteries that are expensive and difficult to obtain. Other problems involving lithium batteries are the restrictions when shipping using airfreight. All lithium batteries need to be shipped as hazardous cargo that is becoming increasingly difficult to achieve as many airlines are no longer allowing these batteries on their aircraft.
- Onboard Modbus/RS485 interface. The Modbus/RS485 interface can be used on a large number applications or sensing equipment. This port is also well protected against large voltage transients.
- Isolated 4-20mA interface. Used for any sensing device with a 4-20mA output.

DOCUMENT NAME	CLASSIFICATION	DATE	PAGE
CDS547 STRATUS MODBUS LOGGER USER MANUAL	CONFIDENTIAL	15-JUL-21	4 OF 30



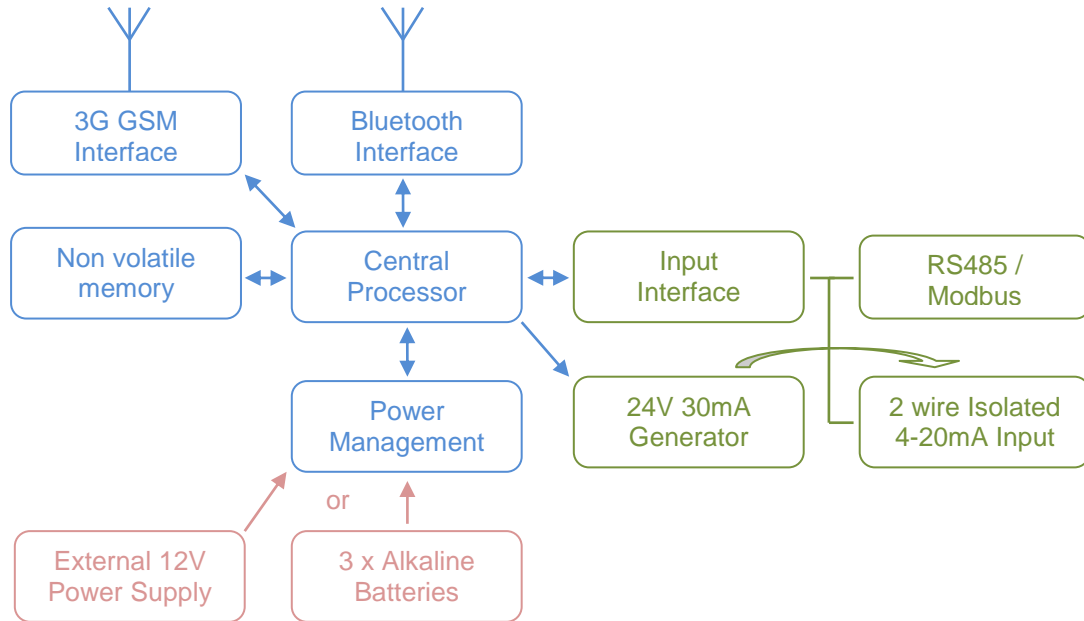
- Onboard 24V 30mA power generator. The Stratus Modbus logger can generate a stable 24V output at a maximum of 30mA allowing for the powering of an external piece of equipment or current loop device eliminating the need for a secondary power supply. This option will also function under battery operation.
- Large onboard non-volatile memory - This logger can record in excess of 20000 datalog records (application dependent).
- Logging intervals from 1 minute to 1 month. Information is internally logged, time and date stamped and transmitted at programmable intervals.
- Remote programming of all setup parameters via GPRS link or SMS.
- Ideal for leak detection, alarming to prevent water loss.
- Onboard Bluetooth can stream diagnostic information about signal strength, network status etc.
- Touch sensitive button and LED's for manual wakeup to server and diagnostic purposes etc.

1.3 Specifications

- GPRS/EDGE/3G (UMTS/HSPA) Modem Technology
- Bluetooth interface
- Powered by battery or external 12V supply
- Option of external power with battery failover and sleep
- All management software supplied free
- Standard Alkaline Batteries - 3 x D cells (5+ years)
- RS485 Modbus Port (2-wire)
- Isolated 4-20mA Input port
- 24V 30mA Generated Power Output
- Up to 20000 record datalog memory (application dependent)
- Full SMS driven command set
- Logging intervals 1 minute to 1 month
- Rugged housing with seal eye
- Touch sensitive button and LED Diagnostics
- Configuration and diagnostics through Bluetooth interface
- Fully configurable remotely
- Stream data in real-time when powered by external supply
- Size 185mm x 130mm x 55mm (including cable glands)
- Housing Protection Class : IP68 - Max 1.2m, 30 days
- Environment : -20°C to 80°C humidity = 90% non condensing. Check battery specifications for low power systems
- Uses a Micro SIM card

DOCUMENT NAME	CLASSIFICATION	DATE	PAGE
CDS547 STRATUS MODBUS LOGGER USER MANUAL	CONFIDENTIAL	15-JUL-21	5 OF 30

1.4 Architecture



1.5 Power Modes

The Stratus Modbus Logger can operate in one of two power configurations.

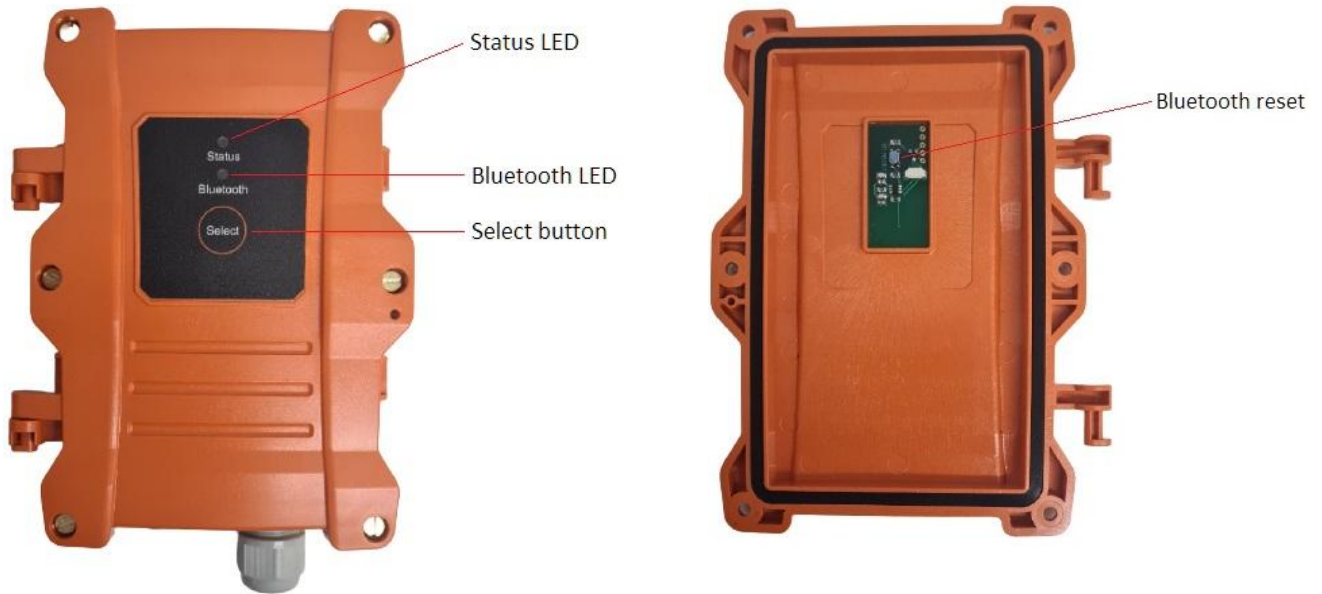
- Mains powered - in this mode the logger can be continuously connected to the server allowing for the streaming of live data.
- Battery powered - The Stratus Modbus logger uses standard 'D' Cell alkaline batteries that will last several years depending on the operation. In this mode, the logger will 'wakeup' (adjustable - normally 6 hourly) and upload its recorded data to a remote database.
- External 12V (8-15V) 2A supply - in this mode the logger can be continuously connected to the server allowing for the streaming of live data. Batteries can be fitted and the logger will automatically switch to battery mode should the power fail.



DOCUMENT NAME	CLASSIFICATION	DATE	PAGE
CDS547 STRATUS MODBUS LOGGER USER MANUAL	CONFIDENTIAL	15-JUL-21	6 OF 30

1.6 LED and button functions

On the front of the logger, there are 2 LED's and a touch sensitive 'SELECT' button. Internally on the reverse side of the lid is the Bluetooth reset button.



1.6.1 LED functions

Blue LED - Bluetooth status

- Flashing indicates the Bluetooth is ready to receive an incoming connection
- Solid light indicates and active connection

Red LED - Logger status

- Solid - Logger is in Command Mode (normally accompanied by an active Bluetooth connection)
- Fast flash - Logger is currently initiating a connection to the server
- Slow Flash - Connection has been established to the server

1.6.2 Pushbutton Functions

SELECT touch button - Please note, this button is touch sensitive in order to maintain the waterproof status of the housing.

- Single short push will toggle the Bluetooth radio on and off.
- A push of more than 3 seconds will result in the logger establishing a connection to the server and uploading its datalog.

BLUETOOTH RESET button - This button is used to reset the Bluetooth interface in the event of a lost password or generally configuration loss.

The Bluetooth interface of this logger can be configured to have a access password which will limit external access to only those issued the password. Should this password get lost, the logger can be opened and the Bluetooth interface reset to disable the security. It is advisable to then connect to the logger again and setup a new password. This is explained later in this document.

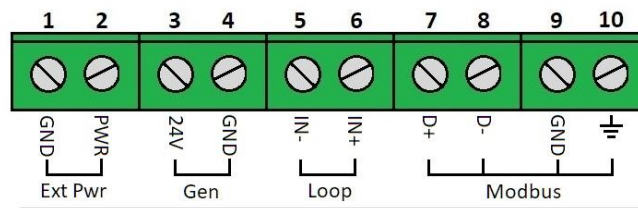
DOCUMENT NAME	CLASSIFICATION	DATE	PAGE
CDS547 STRATUS MODBUS LOGGER USER MANUAL	CONFIDENTIAL	15-JUL-21	7 OF 30

In order to reset the Bluetooth interface, with the housing open, please follow the below procedure.

- Remove all power from the logger - remember to remove the batteries if external power is present.
- Press and hold the Bluetooth reset button.
- Power up the logger again while holding the button. Bluetooth LED will be on confirming the button has been pressed.
- Once the Red Status LED comes on again, the button can be released.
- This will now reset the Bluetooth interface.

1.7 Connections

Connections are available on a series of 10 terminal connectors.

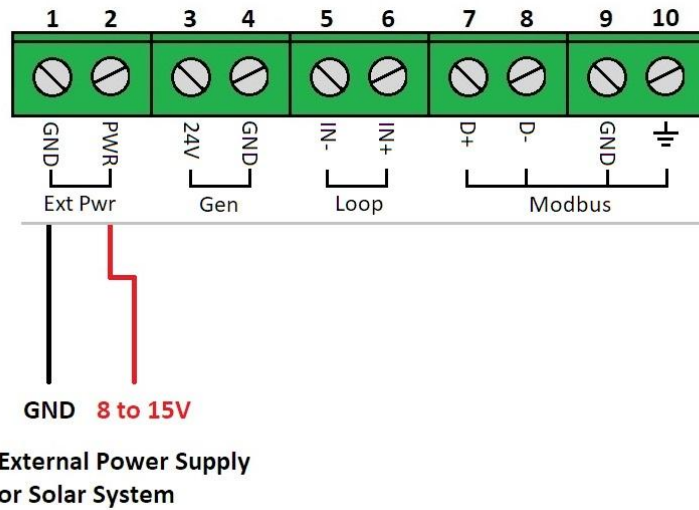


These connections are as follows:

1. External Power Supply / Solar system ground (optional)
2. External 12V Power Supply / Solar system (optional)
3. 24V 30mA max power generator output (used for powering a current loop device)
4. Ground for the 24V generator
5. Isolated negative connection for 4-20mA isolated loop input
6. Isolated positive connection for 4-20mA isolated loop input
7. Modbus/RS485 Data positive input (D+)
8. Modbus/RS485 Data negative input (D-)
9. Isolated ground for Modbus/RS485 input
10. Earthing connection Modbus/RS485 input (transient voltage protection)

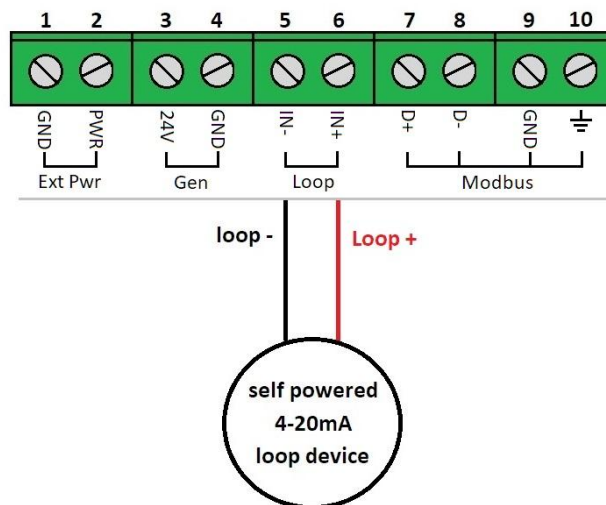
1.7.1 External Power Supply / Solar System Connection

The CDS547 Stratus Modbus logger can be powered entirely from an external 12V (8-15V) 2A power supply or solar power source. Using a solar power source and also populating the logger with alkaline batteries means that the logger can be put into dual mode. In this mode, while there is solar power available, the logger will remain online with the server. Should the solar power fail, the logger will automatically switch to 'battery' mode until the solar power source is restored. This is ideal for remote applications where there is no mains power available and streaming data is required.



1.7.2 Using the 4-20mA loop input and 24V loop power generator

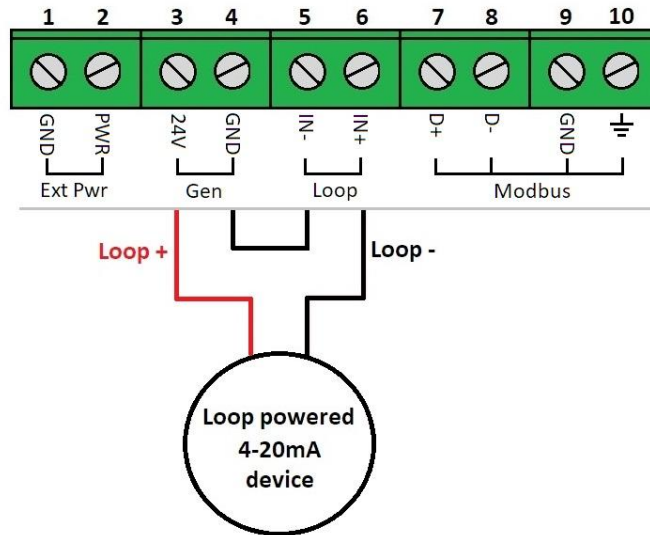
The Stratus Modbus logger is equipped with a fully isolated (optical) 4-20mA interface. This interface is configured for 2 wire applications and should be connected as below. Please take note of the polarity of the loop connections.



To assist with the powering of loop devices, the Stratus Modbus logger is equipped with an onboard 24V loop power generator. This generator is designed to provide the power for devices that source this directly off the loop. Since the maximum power to flow on a 4-20mA loop, should be 20mA, the generator has been designed to supply a maximum of 30mA. Please note, using the 24V power generator to power a loop device uses a substantial amount of power. For this

DOCUMENT NAME	CLASSIFICATION	DATE	PAGE
CDS547 STRATUS MODBUS LOGGER USER MANUAL	CONFIDENTIAL	15-JUL-21	9 OF 30

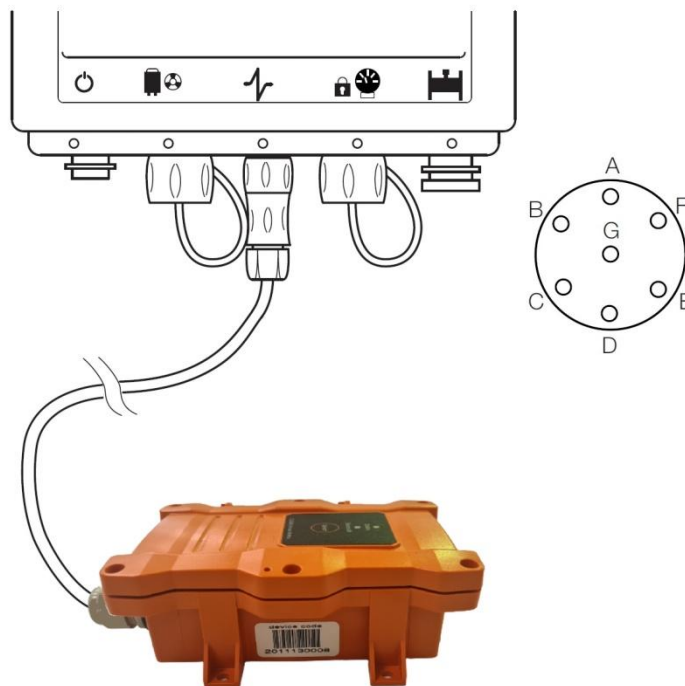
reason, in battery operated devices, the loop should only be powered each time the device needs to be read. This can be achieved by setting the generator into 'Loop Power' mode.



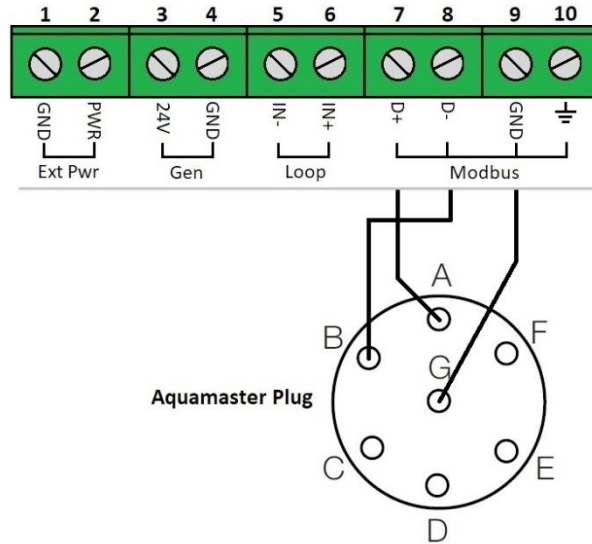
Example configuration of the generator supplying power to a loop powered device

1.7.3 Using the RS485/Modbus interface

The Stratus Modbus logger is equipped with a fully isolated RS485/Modbus interface. This interface is used for the connection to specific equipment with these kinds of output interfaces. e.g. ABB Aquamaster flow meters. These available devices are normally listed in the CloudWorks software as specific applications. Below are the connections for a Aquamaster flow meter.

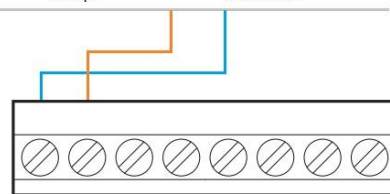
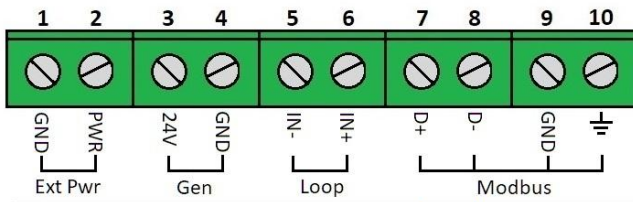


DOCUMENT NAME	CLASSIFICATION	DATE	PAGE
CDS547 STRATUS MODBUS LOGGER USER MANUAL	CONFIDENTIAL	15-JUL-21	10 OF 30



Example configuration for connection to an Aquamaster 3/4 flow meter

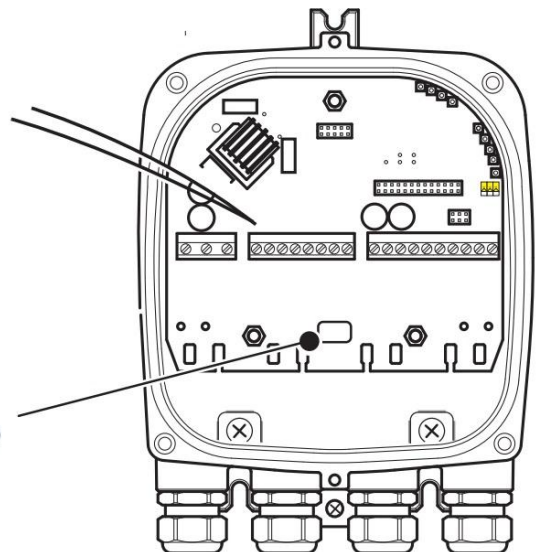
Aquamaster 3/4 Modbus Setup = 19200 baud, 8 bits, Even parity, 1 stop bit



A1 B1 A2 B2 42 41 51 61
52
62

MODBUS
RS485
A1 / B1 – In
A2 / B2 – Out

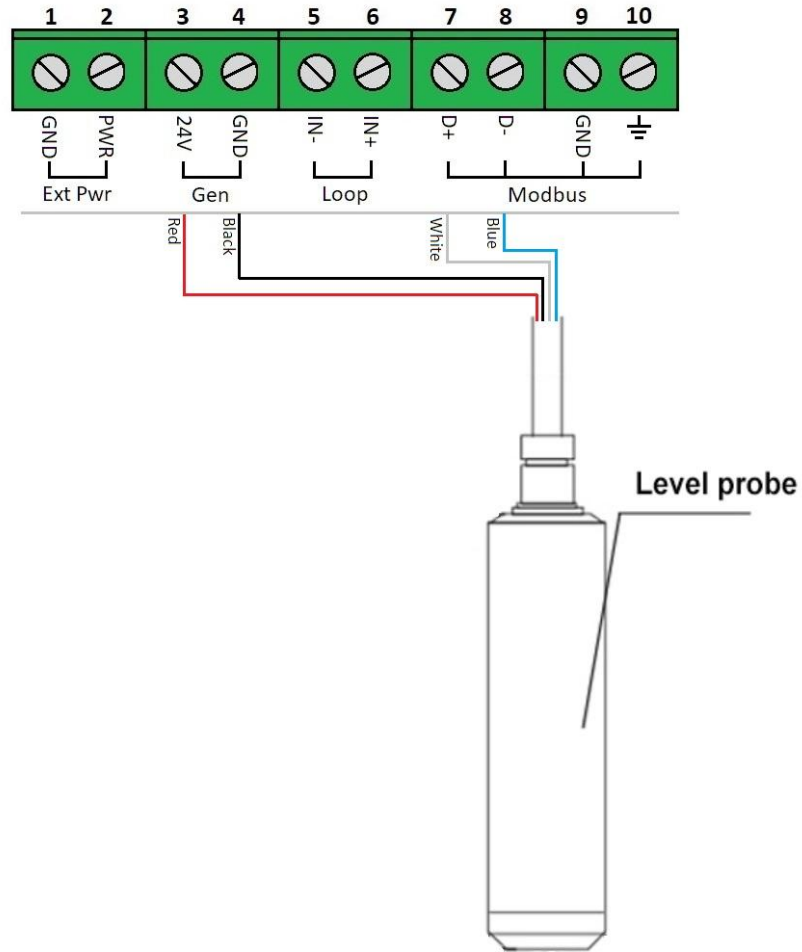
Screen Clamp



Example configuration for connection to an Watermaster flow meter

Watermaster Modbus Setup = 115200 baud, 8 bits, None parity, 1 stop bit

DOCUMENT NAME	CLASSIFICATION	DATE	PAGE
CDS547 STRATUS MODBUS LOGGER USER MANUAL	CONFIDENTIAL	15-JUL-21	11 OF 30



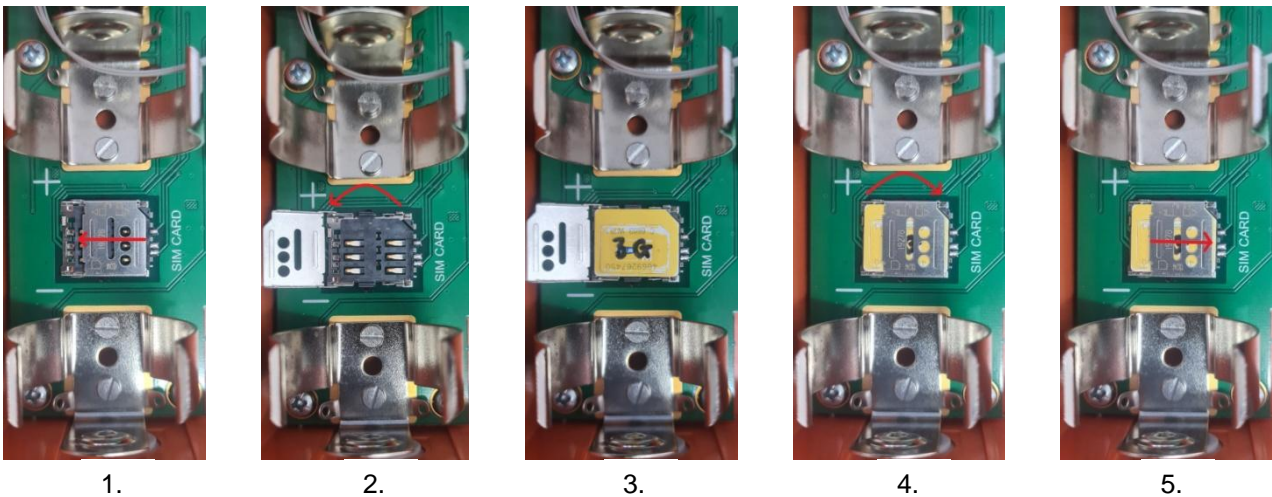
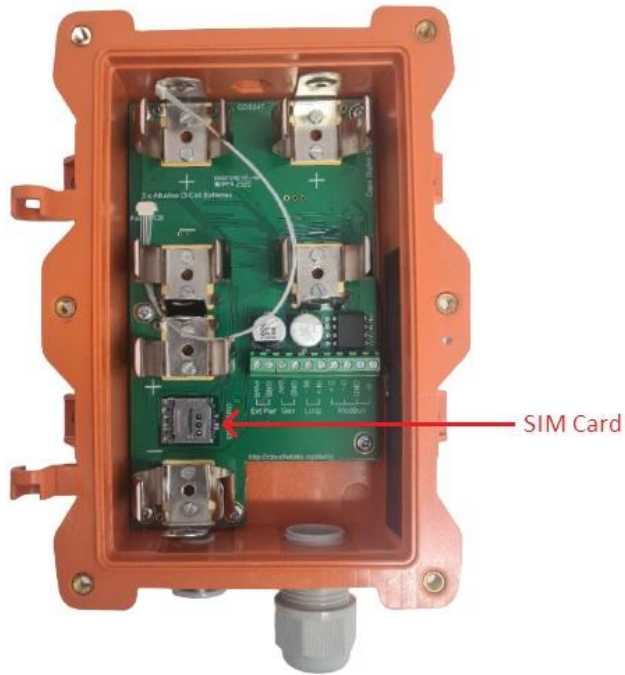
Example configuration for connection Cloudworks Hydrostatic BGT sensor

BGT Sensor Modbus Setup = 9600 baud, 8 bits, None parity, 1 stop bit

DOCUMENT NAME	CLASSIFICATION	DATE	PAGE
CDS547 STRATUS MODBUS LOGGER USER MANUAL	CONFIDENTIAL	15-JUL-21	12 OF 30

1.8 Sim card and battery installation

The CDS547 Stratus logger uses a MicroSIM and is installed as follows.



1. Slide the cover plate backwards to unlock.
2. Flip the cover plate up to expose the connections.
3. Place the sim card with the connections facing downwards. Please note the position of the notch.
4. Flip the cover plate down again to cover the sim card.
5. Slide the cover plate forward again to lock into the base.

DOCUMENT NAME	CLASSIFICATION	DATE	PAGE
CDS547 STRATUS MODBUS LOGGER USER MANUAL	CONFIDENTIAL	15-JUL-21	13 OF 30



Battery Installation

1.9 Installation considerations

The CDS547 Stratus Modbus logger is environmentally rated to IP68 - max1.2m. In order to achieve this, it is critical that any cables entering the logger are properly sealed by the IP68 gland. This gland is designed to only have one cable exiting the logger and not multiple ones. Multiple cables will prevent the gland from achieving a proper seal.



DOCUMENT NAME	CLASSIFICATION	DATE	PAGE
CDS547 STRATUS MODBUS LOGGER USER MANUAL	CONFIDENTIAL	15-JUL-21	14 OF 30

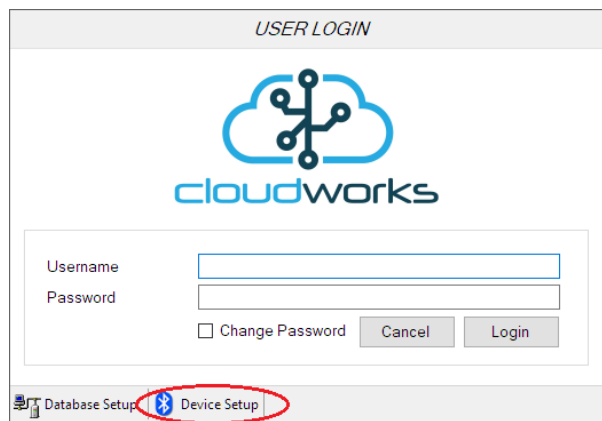
2 LOGGER SETUP

This logger can be configured using 3 different methods:-

1. Through the local Bluetooth interface.
2. Remotely when a logger is powered and is currently online.
3. Via a scripting method for battery operated loggers that sleep most of the time.

2.1 Setup via Bluetooth Configure

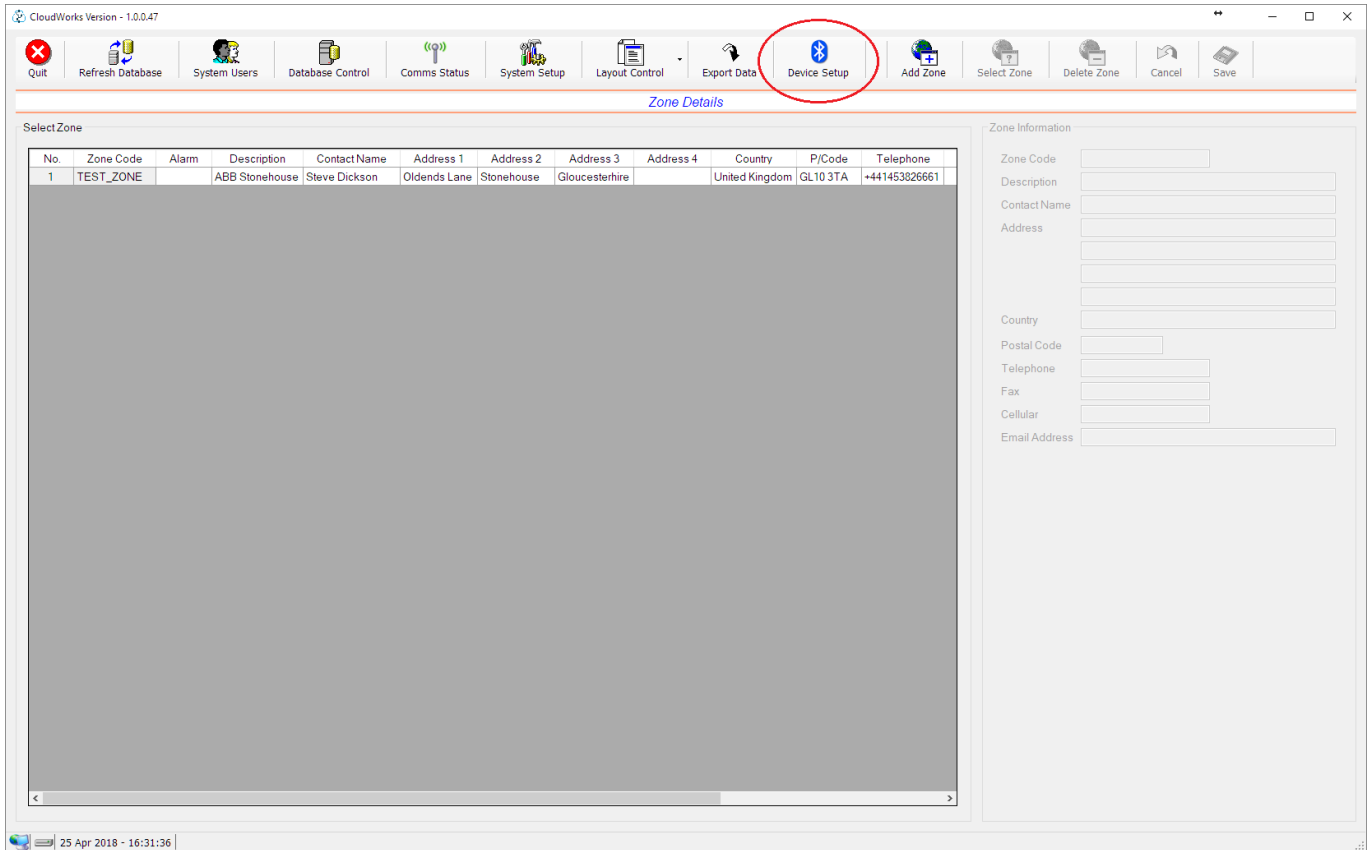
The CDS547 Stratus Modbus logger has an onboard Bluetooth interface which allows for the device configuration to be done locally. There are two different places in the software to activate the Bluetooth connection. The first option is from the log in screen at start up.



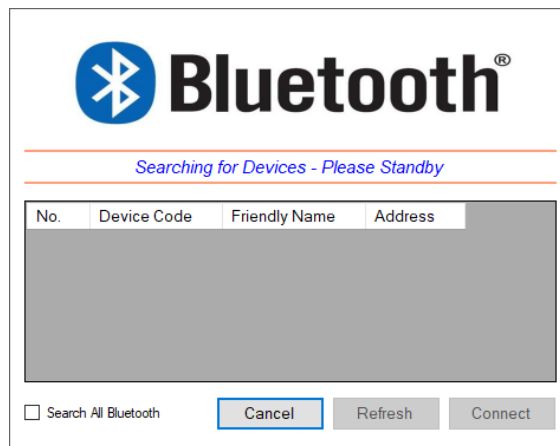
The purpose of having it here is to allow the user to access the Bluetooth setup option without needing to connect to the server and authenticating. This is useful in instances where there is no internet connection available in the field.

DOCUMENT NAME	CLASSIFICATION	DATE	PAGE
CDS547 STRATUS MODBUS LOGGER USER MANUAL	CONFIDENTIAL	15-JUL-21	15 OF 30

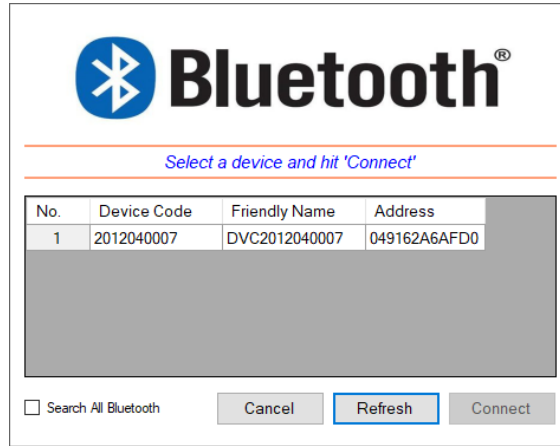
The second option is on the Zone screen by pressing the 'Device Setup' button.



Activating this function will launch the Bluetooth Server which will search for the available remote devices in the immediate vicinity.

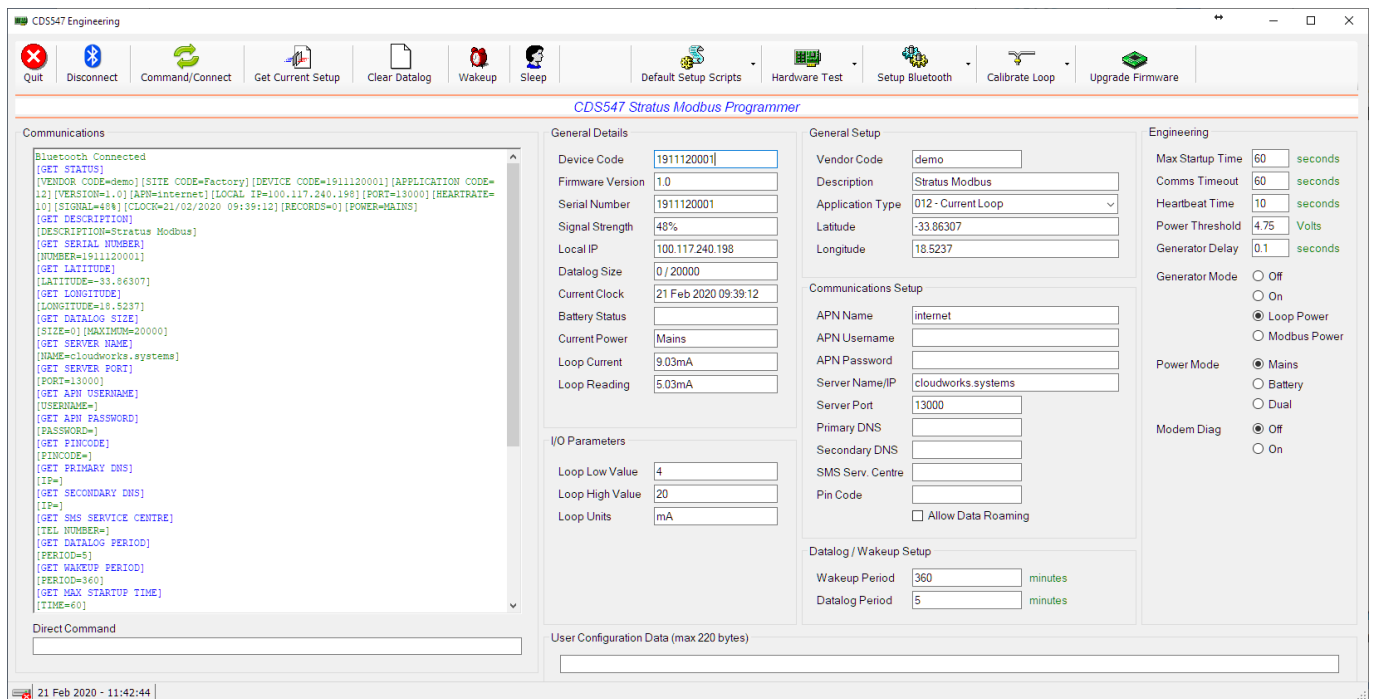


Once the search has been completed, a list of all the available devices will be displayed. Should the device you are looking for, not appear in the list, press the 'Refresh' button to start the search again. Please remember the Bluetooth interface needs to be activated before it will be found by the Bluetooth Server. This is normally done by giving the SELECT pushbutton a short press and releasing. The blue LED will flash to indicate that the interface is active and waiting for a connection.



To make a connection, select the device from the list and press the 'Connect' button. Alternatively, double clicking on the device in the list will initiate a connection immediately.

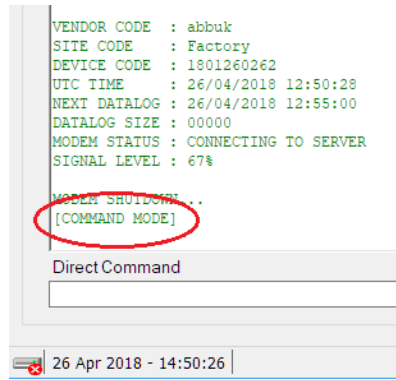
Once the Bluetooth connection has been established, Cloudworks will automatically activate the correct configuration screen needed for each device type. This device will immediately be placed into Command Mode and the current setup data retrieved and displayed on the right hand screen.



Data update commands are sent to the device only after the parameter setup field has been left. What this means is that while adjusting a parameter in its input box, no commands are sent to the logger. Once you have completed entering the field and leave it for the next function, only then will the command be sent.

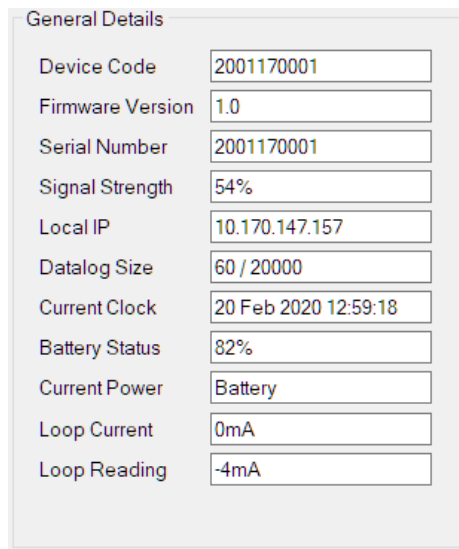
Datalogging functions are suspended while a logger is in Command Mode. At any point, with the logger in Command Mode, the settings can be reread by pressing the 'Get Current Setup' button in the top menu.

DOCUMENT NAME	CLASSIFICATION	DATE	PAGE
CDS547 STRATUS MODBUS LOGGER USER MANUAL	CONFIDENTIAL	15-JUL-21	17 OF 30



To switch between the Diagnostic Mode and Command Mode, simply press the 'Command/Connect' button. Switching from the Diagnostic Mode to Command Mode can take several seconds depending on what the logger is currently executing. Command Mode is shown with the [COMMAND MODE] text in the communications block. All commands and responses will be displayed in the 'Communications' block. This information can be cleared by right clicking in this box and selecting the 'Clear Screen' option.

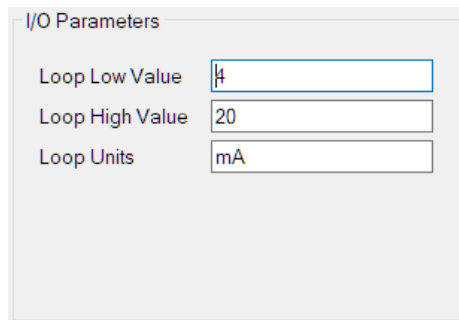
The logger must be in 'Command Mode' before any of the settings changes or other instructions are accepted. Sending a command in Diagnostic Mode will cause the logger to switch to Command Mode but that last instruction will fail.



The information on this screen is ordered in various groups. The 'General Details' box holds information that is not alterable and is general information about the logger. This information consists of the following data:

Information	Notes
Device Code	The Device Code assigned to this particular logger. All communications are initiated by addressing this code. This code is unique to all loggers and is assigned at the time of manufacture.
Firmware Version	Firmware version of the software loaded on the logger
Serial Number	Serial number of this logger - assigned in the factory.

Signal Strength	Signal strength of the last GSM communications, expressed as a percentage.
Local IP	Local IP address assigned by the GSM network. This data is important when using a static IP system to ensure that the correct IP has been assigned to the logger.
Datalog Size	Number of records in the datalog/maximum number possible for the selected application type.
Current Clock	Current Date/Time on the logger. This is automatically set by the server to be UTC time. The logger does need to have connected to the server for the time to have been updated.
Battery Status	Battery status for loggers that are powered by battery, expressed as a percentage. It is important to note that this will be the battery status read while the logger is under larger than normal load (Bluetooth communications active). It would normally indicate lower than the recorded battery status in the datalog (which is read while the logger is essentially idle).
Current Power	An indicator as to how this logger is being powered. Normally the same as the power mode but can vary for systems on Dual Power mode. For loggers in a dual power mode, this parameter will display the current power status of the logger. Battery or Mains.
Loop Current	Current 4-20mA loop current reading in milliamps.
Loop Reading	The 4-20mA current loop reading with its calibration data implemented including the unit of measure.



The 'I/O Parameter' block is the data used to setup the I/O functions of the logger. **This is the place where setup the configuration data for the 4-20mA interface.**

Current loop interfaces (4-20mA) work by reading the current running through a particular sensor or device. As the reading on the sensor changes (e.g. pressure), the sensor will adjust the amount of current flowing through the interface. This current ranges from 4mA to 20mA (max) with 4mA being the lowest reading the sensor can read (e.g. 0 bar on a pressure sensor) and 20mA representing the highest reading (e.g. 10 bar on a 0-10 bar pressure sensor). This is a function of the sensing device.

The interface on the logger needs to be told what the parameters are for the type of sensor attached, as well as, what that sensor is measuring. This is done through the Loop Low Value, Loop High Value and Loop Units parameters. The Loop Low Value would be the lowest reading for that sensor (i.e. 4mA reading), the Loop High Value, the highest reading (i.e. 20mA reading) and the Loop Units, the unit of measure.

An example of a submersible 4-20mA level pressure sensor that reads up to 10 metres.

Loop Low Value = 0

Loop High Value = 10

Loop Units = metres

Next are the 'General Setup' parameters. These are parameters that are used for the general descriptions and applications of the logger.

General Setup

Vendor Code

Description

Application Type

Latitude

Longitude

Very important here is the 'Vendor Code'. The Cloudworks System supports multiple databases. What this means is that the server will automatically populate the database that is associated with a specific logger. Each database and logger has a Vendor Code assigned to it. Data is matched between these systems using that code. This code is also used to separate communications between different vendors, preventing the cross accessing of loggers by unauthorised users. The Vendor Code is assigned to the relevant subsystem by the administrator during the creation of the database on the server.

The description is a simple string of data that is stored by the logger and used to identify that logger in simple terms. Here, it is best to use wording that might explain something about where this logger has been applied.

Application types are explained in detail earlier in this document. To select an application type, simply click the dropdown arrow on the right of the entry field and select the application type you wish to apply.

Since this logger has no onboard GPS, co-ordinates are recorded in the latitude and longitude fields which will be sent through to the database during a reload device configuration event.

Communications Setup

APN Name

APN Username

APN Password

Server Name/IP

Server Port

Primary DNS

Secondary DNS

SMS Serv. Centre

Pin Code

Allow Data Roaming

When using a simcard to connect to a GSM network, there are a couple of parameters that your GSM service provider will need from you in order to connect to their network. These are sometimes not necessary as the card will automatically connect but most will require them. The parameters are the APN Name, Username and Password.

DOCUMENT NAME	CLASSIFICATION	DATE	PAGE
CDS547 STRATUS MODBUS LOGGER USER MANUAL	CONFIDENTIAL	15-JUL-21	20 OF 30

Networks generally require you to enter the APN Name but the Username and Password are not necessary. These details are obtained directly from your GSM service provider and most are published on their websites.

Cloudworks devices are also designed to allow for the connection to custom private APN's for purposes of security. Entering the APN details here will result in the device connecting to your private network. These networks normally issue a static IP address which will be shown in the 'Local IP' field in the 'General Details' box.

All Cloudworks devices connect to a server with a static IP or domain name. They usually use UDP/IP protocols and connect, by default, on port 13000. If you are running your own server, the Server Name or IP address as well as Server Port number need to be entered here. **Just a note, it is always better to rather use the IP address than the domain name. This will mean that the logger will not have to execute a domain name lookup before connecting to your server.**

Cloudworks loggers support the use of simcard pin codes. How this works is - should a simcard have a pincode activated, it will request the pincode when the modem powers up and starts connecting to the network. If the pincode field here is populated, the logger will offer this code to the network, allowing it to connect. Failure of the pincode will cause the logger to abort the connection attempt and shutdown.

With regards to Domain Name Servers (DNS), most service providers will use their own predetermined DNS servers so these entries are normally left blank. However, should you require your own DNS servers, you can capture their Names/IP addresses in the Primary and Secondary DNS fields.

Similarly, SMS Service Centre number is normally not required as your network will default this value. This can be customised using the 'SMS Serv. Centre' field.

If you are using a foreign simcard on a network, the logger will need to be told that it is allowed to use data roaming. Without that, the logger will shutdown communications if it detects a roaming data connection. This can be done by ticking the option box.

Datalog / Wakeup Setup

Wakeup Period minutes

Datalog Period minutes

The Wakeup Period refers to the time a logger remains asleep before waking and connecting to the server to upload its data. The Datalog Period is the time between each recorded datalog entry.

Datalog timings are calculated forward from midnight of the day on which they are set. What this means is that if the datalog period is set to 5 minutes for instance, the next log time will be calculated as 5 minute intervals starting from midnight. This means that each entry would appear on the 5 minute interval of an hour.

Wakeup timings are calculated forward from the moment a logger goes back to sleep and not from the midnight point.

User Configuration Data (max 220 bytes)

Stored locally on each logger is a 220 byte 'User Configuration Data' scratchpad area. This information is eventually carried back into the database and can be used for numerous functions. An example would be the storage of meter serial numbers on a water metering application etc. This area could also contain a complex code that would perhaps give the backend software more information as to how the data from this logger needs to be handled. For example, it could contain a code which has the meter serial number plus other digits indicating whether it is a bulk or zonal meter.

Also, if there are multiple meters attached it could contain multiple serial numbers separated by a comma for instance. Any data that is useful could be stored here.

DOCUMENT NAME	CLASSIFICATION	DATE	PAGE
CDS547 STRATUS MODBUS LOGGER USER MANUAL	CONFIDENTIAL	15-JUL-21	21 OF 30

Engineering

Max Startup Time seconds

Comms Timeout seconds

Heartbeat Time seconds

Power Threshold Volts

Generator Delay seconds

Generator Mode

Off

On

Loop Power

Modbus Power

Power Mode

Mains

Battery

Dual

Modem Diag

Off

On

The 'Engineering' box contains parameters involved with the setup of onboard functions of the logger. There are several communications monitoring parameters that are set to ensure that the communications to the logger are functional and stable.

Battery operated loggers will wake up, connect to the server and upload their data. Should this fail, it would be a large drain on the battery of the logger to continually try and connect. For this reason, the logger has a single chance to wake up and establish a connection. If that fails, it will return to sleep and only reconnect at the next wakeup period. At the start of a wake up, the 'Max Start Time' timer will be started. Should the connection to the server take longer than this preset time, the connection will be aborted and the logger will be put back to sleep. For powered loggers, the modem will be powered down and the process to connect will be restarted from scratch until a connection is established.

There are two other timers that ensure the communications are functioning correctly. First is the 'Comms Timeout'. When a logger communicates with the server, there is continuous communications between the two. Should this stall for a period longer than this timeout value (in seconds), the logger will abort the connection and go back to sleep (battery) or re-establish a connection (powered).

The second is the 'Heartbeat Time'. **This is for powered loggers only.** The server will continuously ping the logger at the interval set by this timer. The logger will respond to the ping and the two will remain in communications. Should the logger not receive two heartbeat pings in a row, it will assume there has been a failure in the communications and abort the connection and go back to sleep (battery) or re-establish a connection (powered).

DOCUMENT NAME	CLASSIFICATION	DATE	PAGE
CDS547 STRATUS MODBUS LOGGER USER MANUAL	CONFIDENTIAL	15-JUL-21	22 OF 30

This logger can operate in one of three power configurations.

Mode	Notes
Mains	In this mode the logger will be continuously connected to the server allowing for the streaming of real time data.
Battery	In this mode, the logger will 'wakeup' (normally 6 hourly) and upload its recorded data to a remote database and then go to sleep.
Dual	External 12V supply + Battery. In this mode the logger will automatically switch to battery mode should the power fail.

Each power mode can be selected from the items under 'Power Mode'. When a logger is in Dual Mode, the voltage point at which the logger will switch from Mains to Battery mode is defined by the 'Power Threshold' voltage. This should only under special circumstances be adjusted from 4.75V.

Fitted onto each logger is an onboard 24V 30mA power generator. The Cumulus Logger can generate a stable 24V output at a maximum of 30mA, allowing for the powering of an external piece of equipment or current loop device eliminating the need for a secondary power supply. This option will also function under battery operation.

Operation Modes are as follows and are selected in the 'Generator Modes' options.

Mode	Notes
Off	In this mode the generator is permanently off.
On	In this mode the generator is permanently on.
Loop Power	Under Loop Power control, the generator will be turned on for a specific period of time (Generator Delay) before the 4-20mA interface is read.
Modbus Power	Under Modbus Power control, the generator will be turned on for a specific period of time (Generator Delay) before the Modbus interface is read.

To expand on the Loop/Modbus Power options - when using the generator to power a 4-20mA loop device or Modbus device, the power is turned on each time that interface is activated to read. Depending on the device you are powering, there is a preset amount of time it will need to be powered before it has 'settled' and the reading has become stable enough to sample. This varies from device to device and can be adjusted using the 'Generator Delay' time.

And lastly, an advanced function showing the modem diagnostics can be switched on or off. What this will do is stream all the modem commands to the diagnostic screen for analysis. **This is really only for advanced troubleshooting and should be kept off by default.**

On the top of this page are several tool bar options. Briefly their functions are as follows:-

Function	Notes
Bluetooth Connect/Disconnect	Connecting and disconnecting to the Bluetooth interface can be done multiple times from this screen. This is especially useful since in battery mode, if the connection is idle for more than 60 seconds, then the logger will automatically disconnect from the Bluetooth connection.
Command/Connect	Used to switch between the Command Mode and the Connected to server Mode with streaming diagnostics. In battery mode the logger might simply go to sleep rather than connect to the server.
Get Current Setup	When in Command Mode, pressing this button will get the software to go and read all the configuration data from the logger and display it on the right hand side of the screen.
Clear Datalog	When in Command Mode, pressing this button will send a command to clear the onboard datalog.
Wakeup	Forces the logger to wake up and connect to the server. This will also force a battery logger to connect to the server.
Sleep	Applies only to battery loggers and will force the logger to sleep rather than connect to the server.
Default Setup Scripts	Dropdown menu giving to options for factory default settings of either battery or powered loggers.
Hardware Test	Dropdown menu to activate various hardware tests. Selecting these options will send the appropriate command to the logger and display the result in the diagnostic screen.
Setup Bluetooth	<p>Bluetooth interfaces are set to default 'Friendly Names' that include the current Device Code for the logger. This makes it easier to select the correct device when connecting to a Bluetooth interface. Should the Device Code not appear on the list of devices when connecting to the Bluetooth interface (legacy devices), then pressing this button will reset the interface and correct the naming system. This function can also be used to reset the Bluetooth interface to its factory default.</p> <p>The Bluetooth interface may be setup with or without access via password. The password used is the Bluetooth Password setup under the General Setup option in CloudWorks. As long as the logger's requested password and the system Bluetooth Password are the same, the connection will be established.</p>
Calibrate Loop	Used to calibrate the 4-20mA. This is explained in further detail below.
Upgrade Firmware	The onboard firmware can be upgraded through the Bluetooth interface. The process is explained in further detail below.

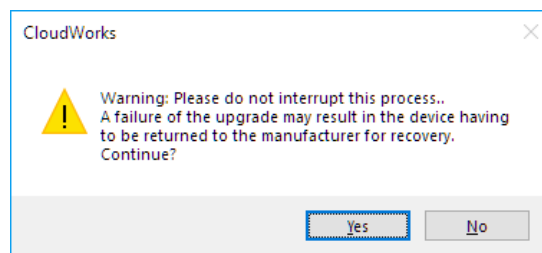
Sometimes it is necessary to re-calibrate the 4-20mA loop to correct it or to re-calibrate for a completely different set of values. This can be easily achieved by following the below procedure.

1. Apply a fixed accurate 4mA source to the current loop interface.
2. Dropdown the 'Calibrate Loop' menu and select 'Set 4mA Point'.
3. Change the source current on the interface to an accurate 20mA.
4. Dropdown the 'Calibrate Loop' menu and select the 'Set 20mA Point'.
5. Change the loop current to any random value between 4mA and 20mA.
6. Press the 'Get Current Setup' button and read back the settings.
7. This random loop current should now display correctly in the 'General Details' box as 'Loop Current'.
8. Disconnect loop current.

Upgrading firmware on the logger can be done through the Bluetooth interface. Newer versions of the software for each type of device is embedded into the Cloudworks software so will not need an internet connection to collect the data.

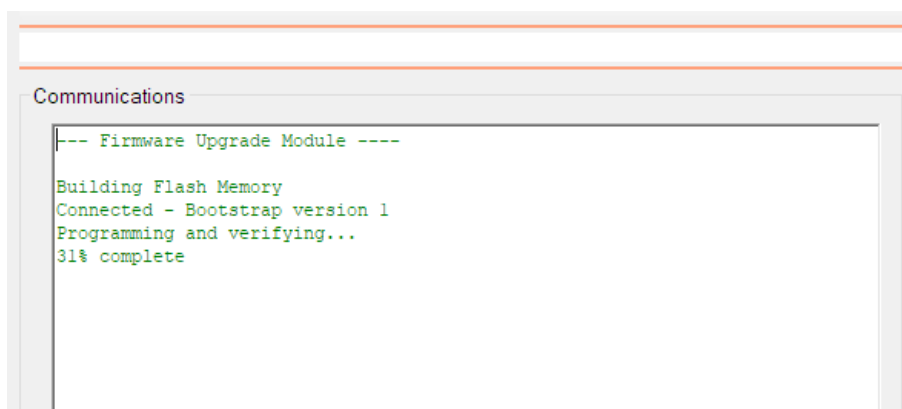
When in Command Mode, press the 'Upgrade Firmware' button. The first thing the software will do is to determine the current firmware version on the logger and see if there is an upgrade available. Should the firmware be up to date, you will be prompted as such and given an option to re-flash the firmware. Re-flashing can happen if your last upgrade failed and you would like to try again.

Before continuing, the following prompt will flash on the screen.



Please do not at any stage interrupt the process while the firmware is downloading as this may leave the logger inoperable and necessitate that it get sent back to the manufacturer for recovery.

Selecting 'Yes' will start the upgrade process. The diagnostic screen will display the progress of the upgrade.



DOCUMENT NAME	CLASSIFICATION	DATE	PAGE
CDS547 STRATUS MODBUS LOGGER USER MANUAL	CONFIDENTIAL	15-JUL-21	25 OF 30

Once the upgrade is complete, the following message will be displayed.

```

Communications
--- Firmware Upgrade Module ----
Building Flash Memory
Connected - Bootstrap version 1
Programming and verifying...
Upgrade complete.
Bluetooth Disconnected
Please power cycle the device to continue
    
```

Please power cycle the logger and then reconnect the Bluetooth interface if you wish to carry out further configurations.

A note about power cycling a logger - when a logger is in battery mode and asleep, disconnecting the battery will not cycle the device. A battery logger in sleep mode can remain powered for up to 5 minutes before the onboard capacitors discharge enough for the device to reset. To speed this process up, press the pushbutton for more than 3 seconds forcing the device to try and connect to the server and therefore draining the capacitors.

Should the upgrade fail for some reason, please power cycle the logger, reconnect the Bluetooth, go into Command Mode and try again.

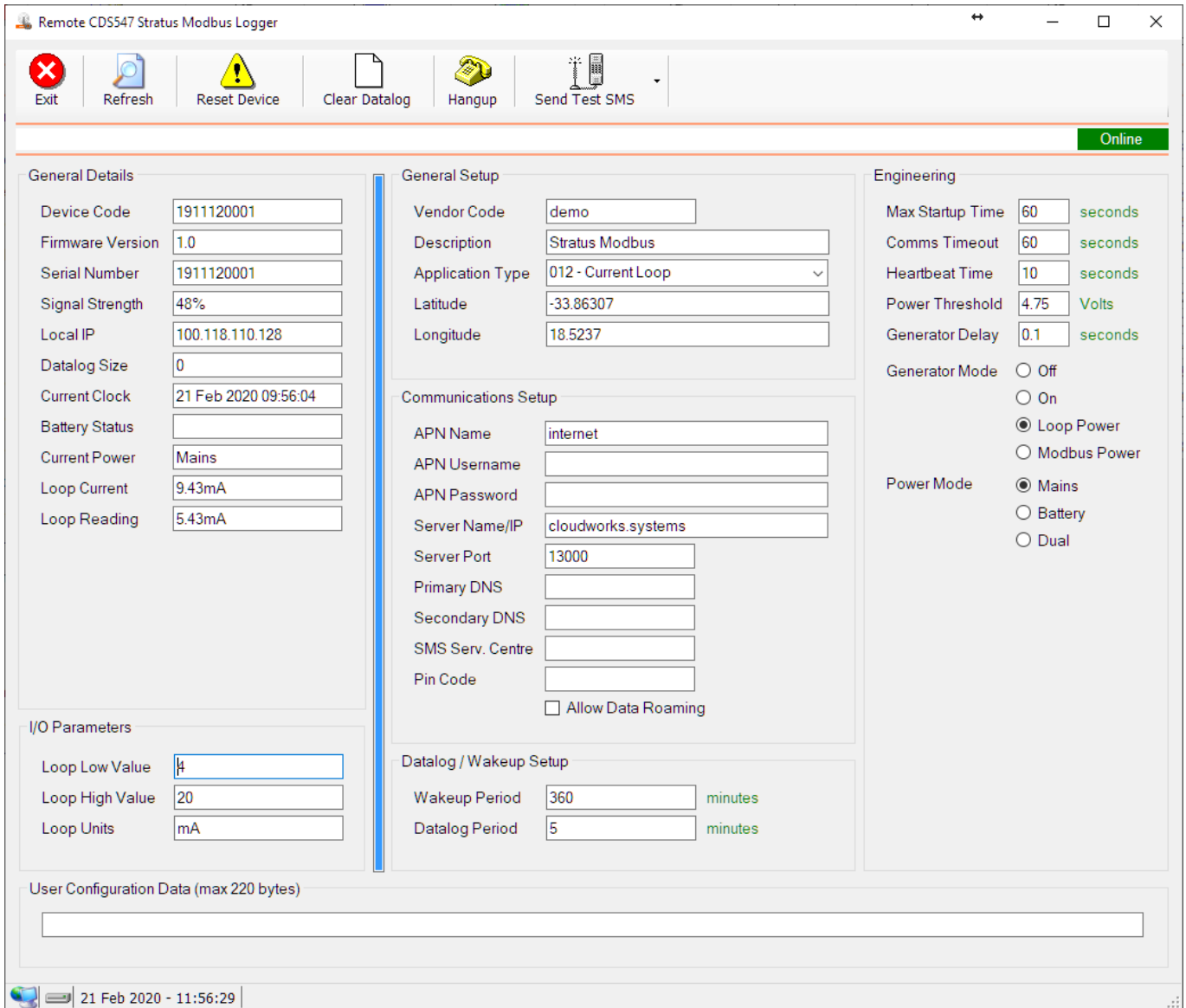
If the upgrade process fails to start, try the following recovery.

1. Connect with the Bluetooth interface and switch the logger to Mains Mode (if battery logger).
2. Disconnect the Bluetooth and **power cycle the logger properly**.
3. Re-connect the Bluetooth and retry the upgrade process.
4. Disconnect Bluetooth and **power cycle the logger properly**.
5. Re-connect the Bluetooth and switch the logger back into Battery mode (if battery logger).

DOCUMENT NAME	CLASSIFICATION	DATE	PAGE
CDS547 STRATUS MODBUS LOGGER USER MANUAL	CONFIDENTIAL	15-JUL-21	26 OF 30

2.2 Setup via Remote Configure

Once the remote connection has been established, Cloudworks will automatically download the current setup data and display it on the screen. This data can be refreshed at any time by pressing the 'Refresh' button in the top menu.



Remote CDS547 Stratus Modbus Logger

Exit Refresh Reset Device Clear Datalog Hangup Send Test SMS

Online

General Details

Device Code: 1911120001
 Firmware Version: 1.0
 Serial Number: 1911120001
 Signal Strength: 48%
 Local IP: 100.118.110.128
 Datalog Size: 0
 Current Clock: 21 Feb 2020 09:56:04
 Battery Status:
 Current Power: Mains
 Loop Current: 9.43mA
 Loop Reading: 5.43mA

General Setup

Vendor Code: demo
 Description: Stratus Modbus
 Application Type: 012 - Current Loop
 Latitude: -33.86307
 Longitude: 18.5237

Engineering

Max Startup Time: 60 seconds
 Comms Timeout: 60 seconds
 Heartbeat Time: 10 seconds
 Power Threshold: 4.75 Volts
 Generator Delay: 0.1 seconds
 Generator Mode:
 Off
 On
 Loop Power
 Modbus Power
 Power Mode:
 Mains
 Battery
 Dual

I/O Parameters

Loop Low Value: 4
 Loop High Value: 20
 Loop Units: mA

Communications Setup

APN Name: internet
 APN Username:
 APN Password:
 Server Name/IP: cloudworks.systems
 Server Port: 13000
 Primary DNS:
 Secondary DNS:
 SMS Serv. Centre:
 Pin Code:
 Allow Data Roaming

Datalog / Wakeup Setup

Wakeup Period: 360 minutes
 Datalog Period: 5 minutes

User Configuration Data (max 220 bytes)

21 Feb 2020 - 11:56:29

As you can see the parameters are the same as when you configure via the Bluetooth setup option. Again, data update commands are sent to the device only after the parameter setup field has been left. What this means is that while adjusting a parameter in its input box, no commands are sent to the logger. Once you have completed entering the field and leave it for the next function, only then will the command be sent.

Should the instruction fail to send or not be acknowledged by the logger, you will get a prompt alerting you to the failed command. This parameter change should be attempted again.

Apart from that, functions are the same as the Bluetooth Setup with the exception of three buttons on the top tool bar. The 'Reset Device' button is self explanatory and will initiate a reset of the logger. This would really only be used if there has been some really unexplained behaviour linked to the loggers operation.

DOCUMENT NAME	CLASSIFICATION	DATE	PAGE
CDS547 STRATUS MODBUS LOGGER USER MANUAL	CONFIDENTIAL	15-JUL-21	27 OF 30

If you make changes to the connection parameters (i.e. APN details or Server details), you can force the logger to disconnect from the server and reconnect using the new connection parameters by pressing the 'Hangup' button. This will cause the connection to re-establish. Bear in mind, if these parameters have changed, the logger may re-connect to a completely different server so will go offline here preventing you from making any further changes.

The 'Remote Configure' screen has one further tool available in its arsenal, and that is the 'Send Test SMS' function. The purpose of this function is to not only test the SMS system, but also to determine the telephone number assigned to that simcard (if the card supports SMS's). Using this function is as simple as pressing the button and entering the destination telephone number in the provided input box - and pressing ENTER.

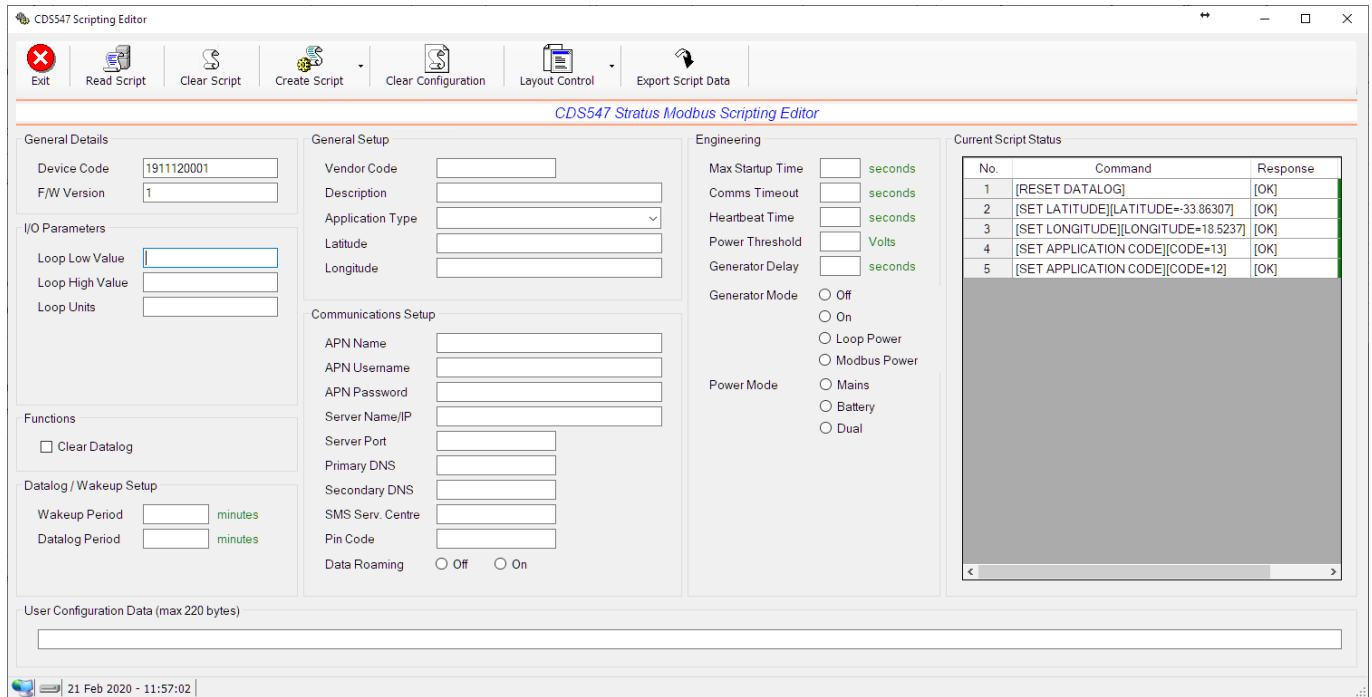
The logger will then send an SMS to that number. The message should read, 'Hello from Stratus Modbus Logger CDS547 - Device Code xxxxxxxxx'. The receiving number can then be used to send sms commands to that logger.

If you have made changes to configuration data and the logger is present in the database, please remember to trigger a 'Reload Device Config' function to allow the server to update the database correctly.

DOCUMENT NAME	CLASSIFICATION	DATE	PAGE
CDS547 STRATUS MODBUS LOGGER USER MANUAL	CONFIDENTIAL	15-JUL-21	28 OF 30

2.3 Setup via Offline Script Configure

Once activated, the correct blank Scripting Editor screen will be displayed, ready for the capture of the settings that need to be altered.



Since the device is offline the only parameters available are the Device Code and Firmware Version which are picked up from the communications register.

As you can see the parameters are the same as when you configure via the Bluetooth setup option with one or two minor exceptions explained later.

All the parameter fields are empty at this point. To create a script, simply enter the new values for the parameters you wish to change in the correct fields. **The script will only be generated for the parameters that have been altered in this form.** Should you wish to restart your parameter changes, you can press the 'Clear Configuration' button in the top tool bar to reset all the fields.

When generating a script for your new parameters, you have an option of adding to the current script or replacing the script with only your new one. To do this, press the 'Create Script' dropdown button on the top tool bar and select the option you require.

On the right of the screen is a table of the current script that appears in the database with the status of each command tabled. This would include older scripts that are still present in the database. Each command has associated with it a status - either Pending or Complete.

No.	Command	Response	Status
1	[SET GENERATOR MODE][MODE=OFF]	[OK]	Complete
2	[SET DESCRIPTION][DESCRIPTION=Cape Digital]	[OK]	Complete
3	[SET GENERATOR MODE][MODE=ON]		Pending

Pending commands are those that still need to be executed. Listed also is the response to each command for diagnostic purposes. You can read back the current script to determine its status at any point by pressing the 'Read Script' button. 'Clear Script' would delete the script from the database.

All the other functions should be familiar with the exception of the 'Clear Datalog' and 'Send Test SMS' functions. Since these cannot be a button on the screen, they are captured as selectable options.

If you have made changes to configuration data and the logger is present in the database, please remember to trigger a 'Reload Device Config' function to allow the server to update the database correctly.

DOCUMENT NAME	CLASSIFICATION	DATE	PAGE
CDS547 STRATUS MODBUS LOGGER USER MANUAL	CONFIDENTIAL	15-JUL-21	30 OF 30